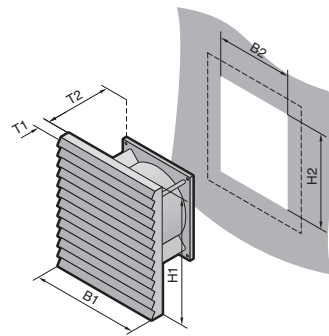


Fan-and-filter units

Air throughput 20/55 m³/h



B = Width
T = Depth

Supply includes:
Fan-and-filter unit ready for installation, including filter mats.

German registered design no. M 93 04 846

Approvals,
see page 77.

Performance diagrams,
available on the Internet.

B
4.4

Fan-and-filter units

Model No. fan-and-filter unit SK	3321.107	3321.117	3321.027	3321.047 ¹⁾	3322.107	3322.117	3322.027	3322.047 ¹⁾
Rated operating voltage V, Hz	230, 50/60	115, 50/60	24 (DC)	48 (DC)	230, 50/60	115, 50/60	24 (DC)	48 (DC)
Dimensions in mm	B1/H1	116.5			148.5			
	B2/H2	92 + 0.8 ²⁾			124 ²⁾			
	T1	10			10.5			
Max. installation depth mm	T2	42			57			
Air throughput, unimpeded air flow	20/25 m³/h		20 m³/h		55/66 m³/h		55 m³/h	
Air throughput with outlet filter including standard filter mat	1 x SK 3321.207: 15/18 m³/h				1 x SK 3322.207: 43/50 m³/h			

Axial fan	self-starting shaded pole motor		DC motor		self-starting shaded pole motor		DC motor	
Rated current max.	69 mA 58 mA	138 mA 115 mA	125 mA	90 mA	0.12 A 0.11 A	0.24 A 0.23 A	0.35 A	90 mA
Power	12.5 W/10.3 W		3.0 W	4.1 W	19.0 W/18.0 W		7.7 W	4.4 W
Noise level	41/46 dB (A)		41 dB (A)		46/49 dB (A)		46 dB (A)	
Temperature range	-10°C to +55°C							
Colour	RAL 7035 ³⁾							
Protection category to EN 60 529/10.91	IP 54 standard IP 56 when using a hose-proof hood							

Model No. outlet filter SK	3321.207	3322.207								
Accessories	Packs of								Page	
Spare filter mats	5	3321.700						3322.700	670	
Thermostat	1	3110.000							661	
Temperature indicator	1	3114.100	3114.115	3114.024	-	3114.100	3114.115	3114.024	-	660
Speed control	1	3120.000	3120.115	-	-	3120.000	3120.115	-	-	662
Hose-proof hood	1	3321.800						3322.800	666	

¹⁾ Delivery times available on request.

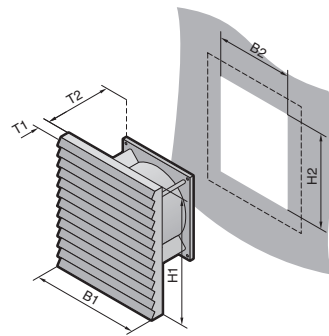
²⁾ For metal thickness > 2.5 mm, the cutout B2/H2 must be 1 mm larger.

³⁾ RAL 7032 on request.

Special voltages available on request. We reserve the right to make technical modifications.

Fan-and-filter units

Air throughput 105/180 m³/h



B = Width
T = Depth

Supply includes:
Fan-and-filter unit ready for installation, including filter mats.

German registered design no. M 93 04 846

Approvals,
see page 77.

Performance diagrams,
available on the Internet.

Model No. fan-and-filter unit SK	3323.107	3323.117	3323.027	3323.047 ¹⁾	3324.107	3324.117	3324.027	3324.047 ¹⁾
Rated operating voltage V, Hz	230, 50/60	115, 50/60	24 (DC)	48 (DC)	230, 50/60	115, 50/60	24 (DC)	48 (DC)
Dimensions in mm	B1/H1	204			255			
	B2/H2	177 ²⁾			224 ²⁾			
	T1	12.5			12.5			
Max. installation depth mm	T2	82.5			105			
Air throughput, unimpeded air flow	105/120 m³/h		105 m³/h		180/160 m³/h		180 m³/h	
Air throughput with outlet filter including standard filter mat	1 x SK 3323.207: 71/82 m³/h 2 x SK 3323.207: 85/98 m³/h 1 x SK 3325.207: 78/90 m³/h				1 x SK 3325.207: 115/95 m³/h 2 x SK 3325.207: 165/140 m³/h 1 x SK 3326.207: 155/130 m³/h			

Axial fan	self-starting shaded pole motor		DC motor		self-starting shaded pole motor		DC motor	
Rated current max.	0.12 A	0.24 A	0.35 A	90 mA	0.19 A	0.38 A	0.3 A	0.34 A
Power	19.0 W/18.0 W		8.0 W	4.3 W	30.0 W/35.0 W		7.2 W	14.0 W
Noise level	46/49 dB (A)		46 dB (A)		52/48 dB (A)		52 dB (A)	
Temperature range	-10°C to +55°C							
Colour	RAL 7035 ³⁾							
Protection category to EN 60 529/10.91	IP 54 standard IP 55 when using an additional fine filter mat IP 56 when using an additional fine filter mat and hose-proof hood							

Model No. outlet filter SK	3323.207				3325.207					
Accessories	Packs of								Page	
Spare filter mats	5	3171.100				3172.100				670
Fine filter mats	5	3181.100				3182.100				670
Thermostat	1	3110.000								661
Temperature indicator	1	3114.100	3114.115	3114.024	–	3114.100	3114.115	3114.024	–	660
Speed control	1	3120.000	3120.115	–	–	3120.000	3120.115	–	–	662
Hose-proof hood	1	3323.800				3324.800				666

¹⁾ Delivery times available on request.

²⁾ For metal thickness > 2.5 mm, the cutout B2/H2 must be 1 mm larger.

³⁾ RAL 7032 on request.

Special voltages available on request. We reserve the right to make technical modifications.