

OWNER	JORDAN WATER COMOANY-MIYAHUNA LLC
PROJECT	AUTO TRANSFORMER STARTERS
CONSULTANT	
CONTRACTOR	
CLIENT	
PANEL	TYPICAL AUTO-TRANSFORMER STARTER

# TECO-JUNDI ELECTRICAL INDUSTRY

TECO PROJECT NO. : XXXXX/TC

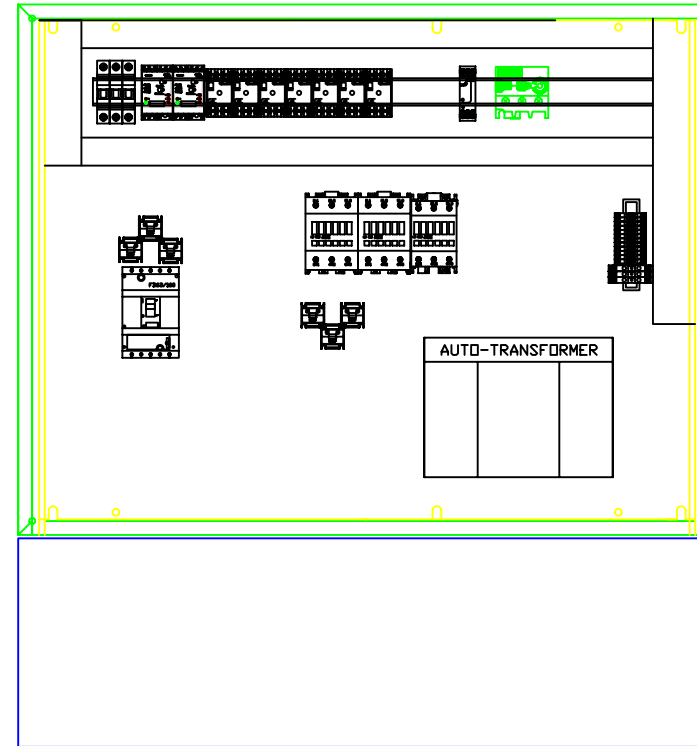
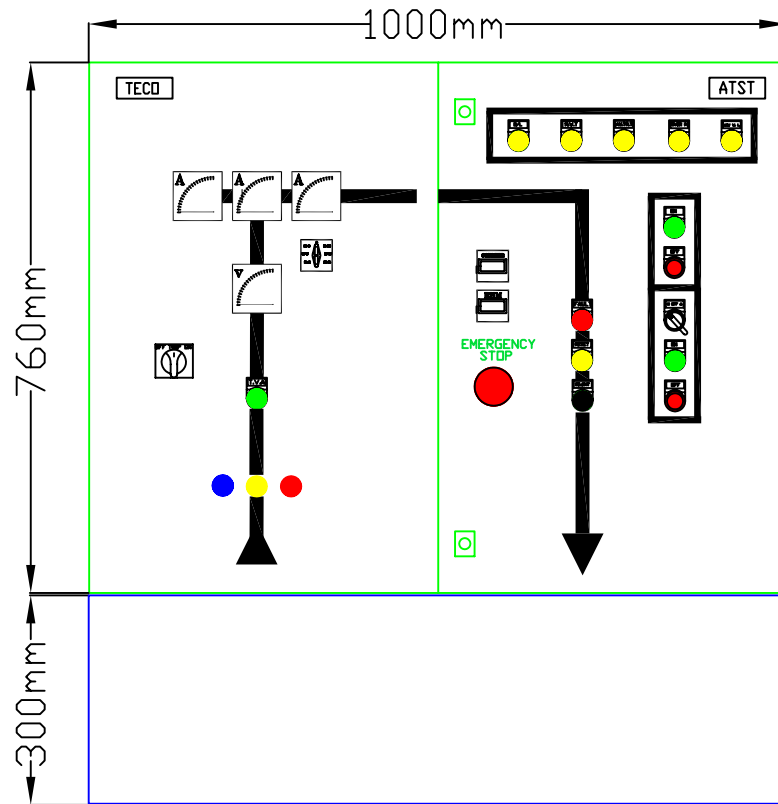
OFFICE :  
 TEL. :+962 (06) 488-3215  
 FAX. :+962 (06) 488-3188

FACTORY :  
 TEL. :+962 (06) 402-2843  
 FAX. :+962 (06) 402-2846

FREE ZONE FACTORY :  
 TEL. :+962 (06) 402-5332  
 FAX. :+962 (06) 402-6936

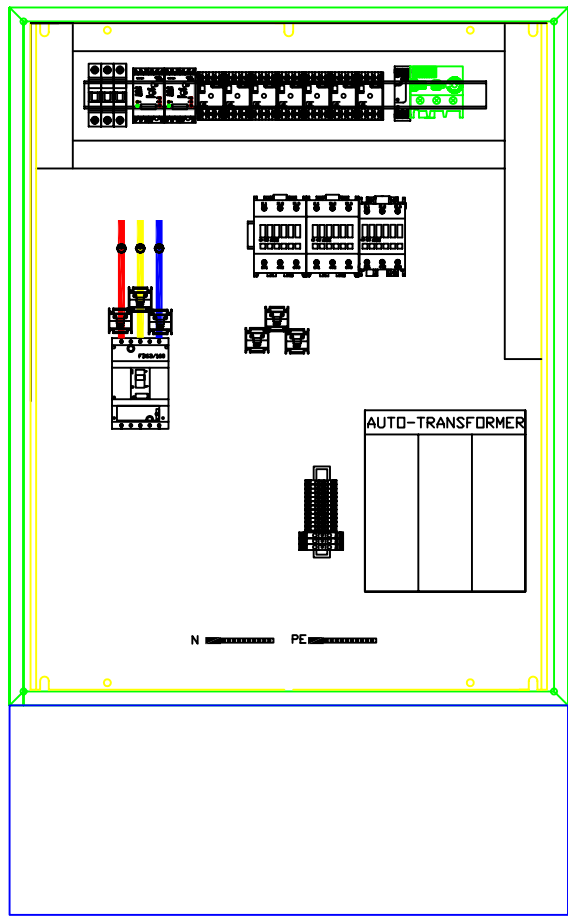
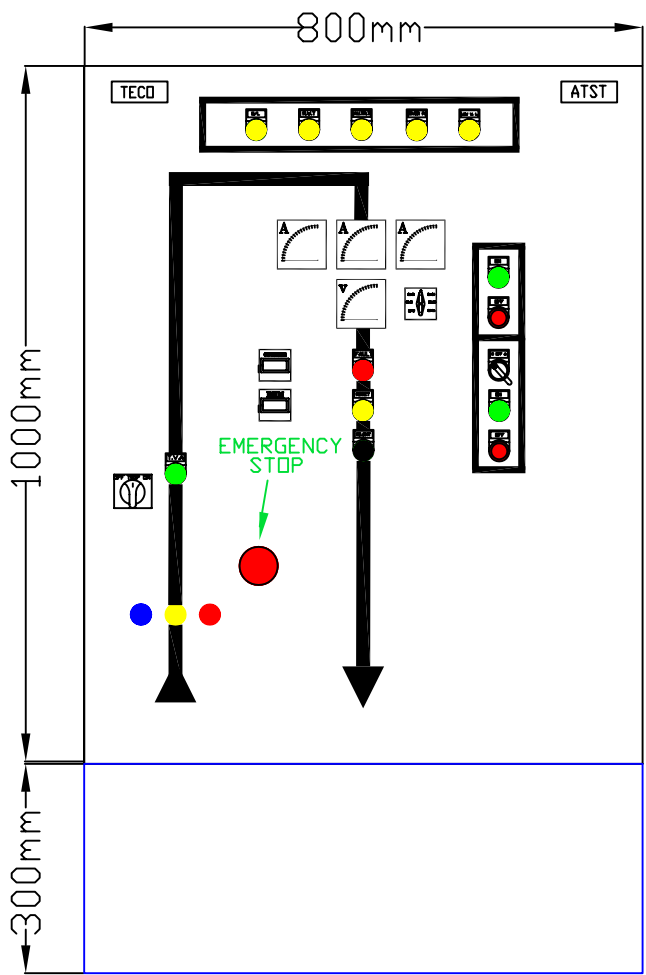
E-MAIL: teco@go.com.jo  
 P.O.Box: 2070, Amman 11181-Jordan  
 www.tecogrp.com

Design	TAREQ.JILDEH		TYPICAL AUTO TRANSFORMER STARTERS	TITLE PAGE	XXXX/TC	LAST MODIFIED: 09/08/2011	XXXX-TC-ES-002-0	Page 1		
Check	OMAR JUNDI									
Create	08/08/2011									
Revision	Date	Name	Print.	28/02/2012	Issued for:	SUBMITTAL	Standard:	IEC 439	Tender #:	



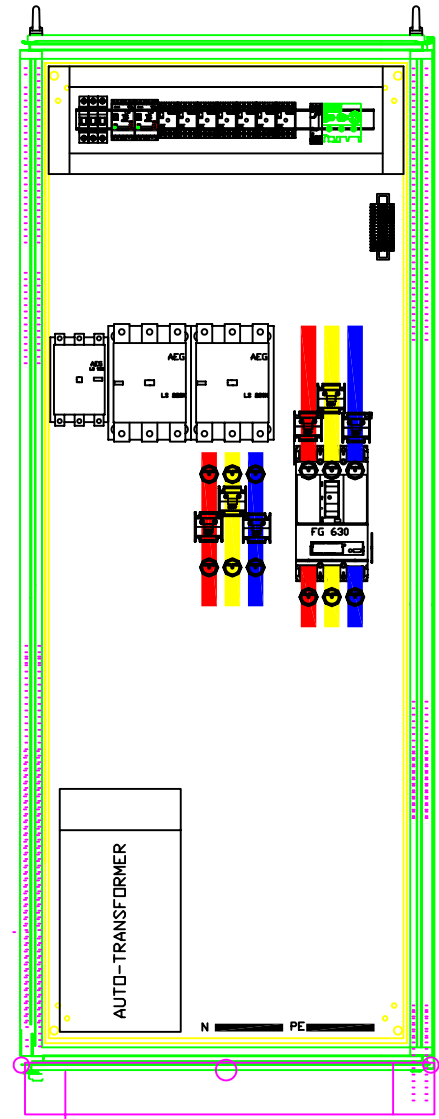
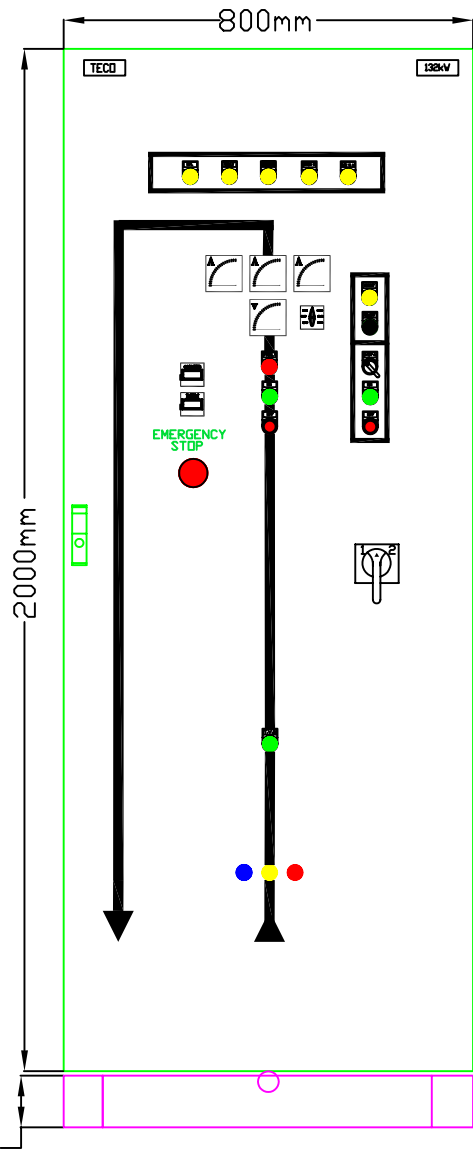
ENCLOSURE TYPE: FORM 2  
 ENCLOSURE DIMENSION (W\*H\*D) (1000\*1600\*300)mm  
 INGRESS PROTECTION : IP54

Date		8-8-2011		PROJECT : AUTO TRANSFORMER STARTERS				12023-TC		=	
Design		M.SALAH		OWNER : JORDAN WATER COMOANY-MIYAHUNA LLC				CONSTRUCTION DRAWING		+	
Check		T.JILDEH		CONTRACTOR :.		AND DOOR LAYOUT		M:\Projects\12023-T0		Page 1	
Revision	Date	Name	Stand	IEC 439	Tender #:	Issued for: Submittal	12023-TC-EK-001-0		1		Pages



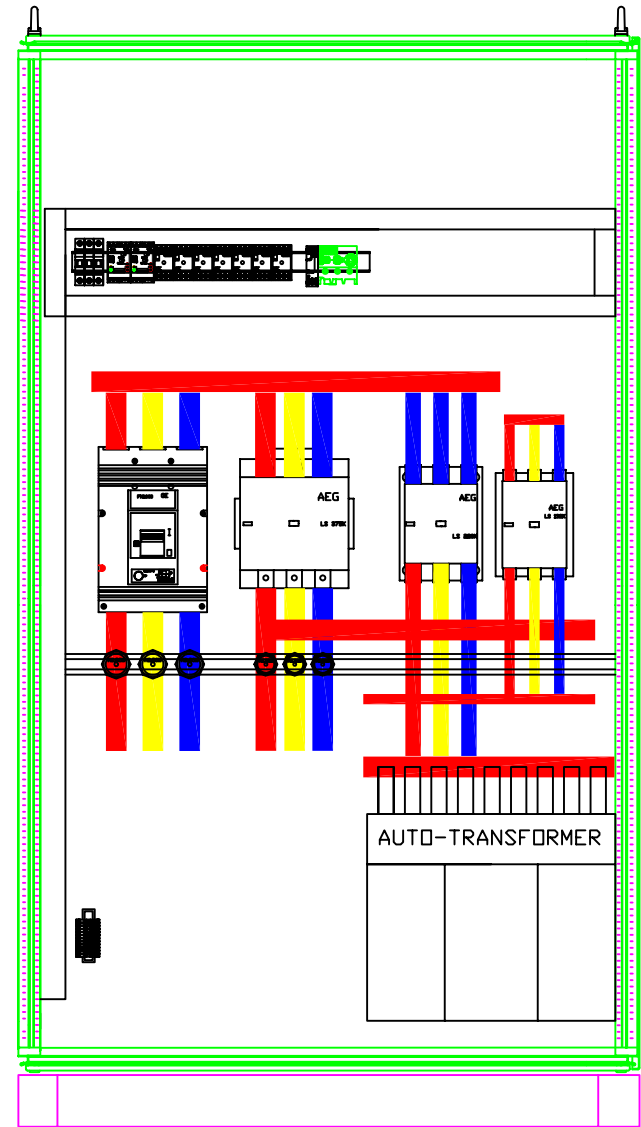
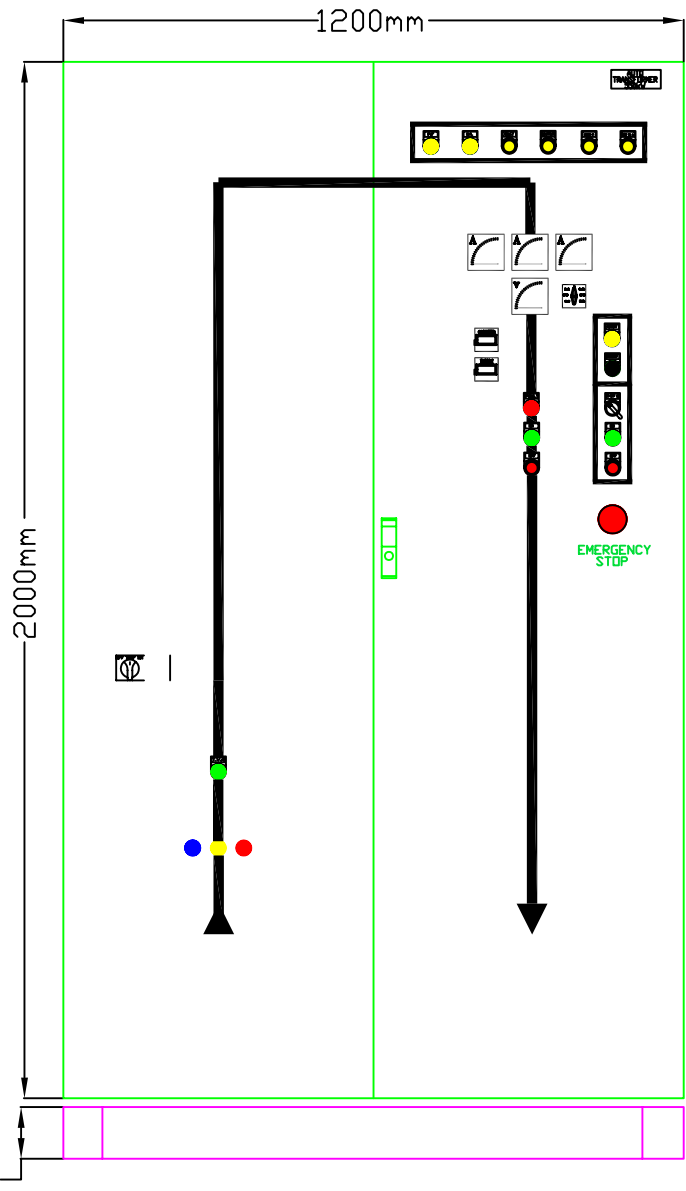
ENCLOSURE TYPE: FORM 2  
 ENCLOSURE DIMENSION (W\*H\*D) (800\*1300\*300)mm  
 INGRESS PROTECTION : IP54

		Date	8-8-2011	PROJECT : AUTO TRANSFORMER STARTERS			TYPICAL AUTO-TRANSFORMER STARTER UP TO 75kW CONSTRUCTION DRAWING AND DOOR LAYOUT	12023-TC		M:\Projects\12023-T0 MCC's-DWG	12023-TC-EK-001-0	Page 1
		Design	M.SALAH	OWNER : JORDAN WATER COMOANY-MIYAHUNA LLC				1	Pages			
Revision	Date	Name	Stand	IEC 439	Tender #:	Issued for: Submittal						



ENCLOSURE TYPE: FORM 2  
 ENCLOSURE DIMENSION (W\*H\*D) (800\*2100\*600)mm  
 INGRESS PROTECTION : IP54

		Date	8-8-2011	PROJECT : AUTO TRANSFORMER STARTERS	TECO	TYPICAL AUTO-TRANSFORMER STARTER 120kW UP TO 250kW CONSTRUCTION DRAWING AND DOOR LAYOUT	12023-TC	=	
		Design	M.SALAH	OWNER : JORDAN WATER COMOANY-MIYAHUNA LLC					
		Check	T.JILDEH	CONTRACTOR : .					
Revision	Date	Name	Stand	IEC 439	Tender #:	Issued for: Submittal	M:\Projects\12023-TC MCC's-DWG	12023-TC-EK-001-0	Page 1 1 Pages



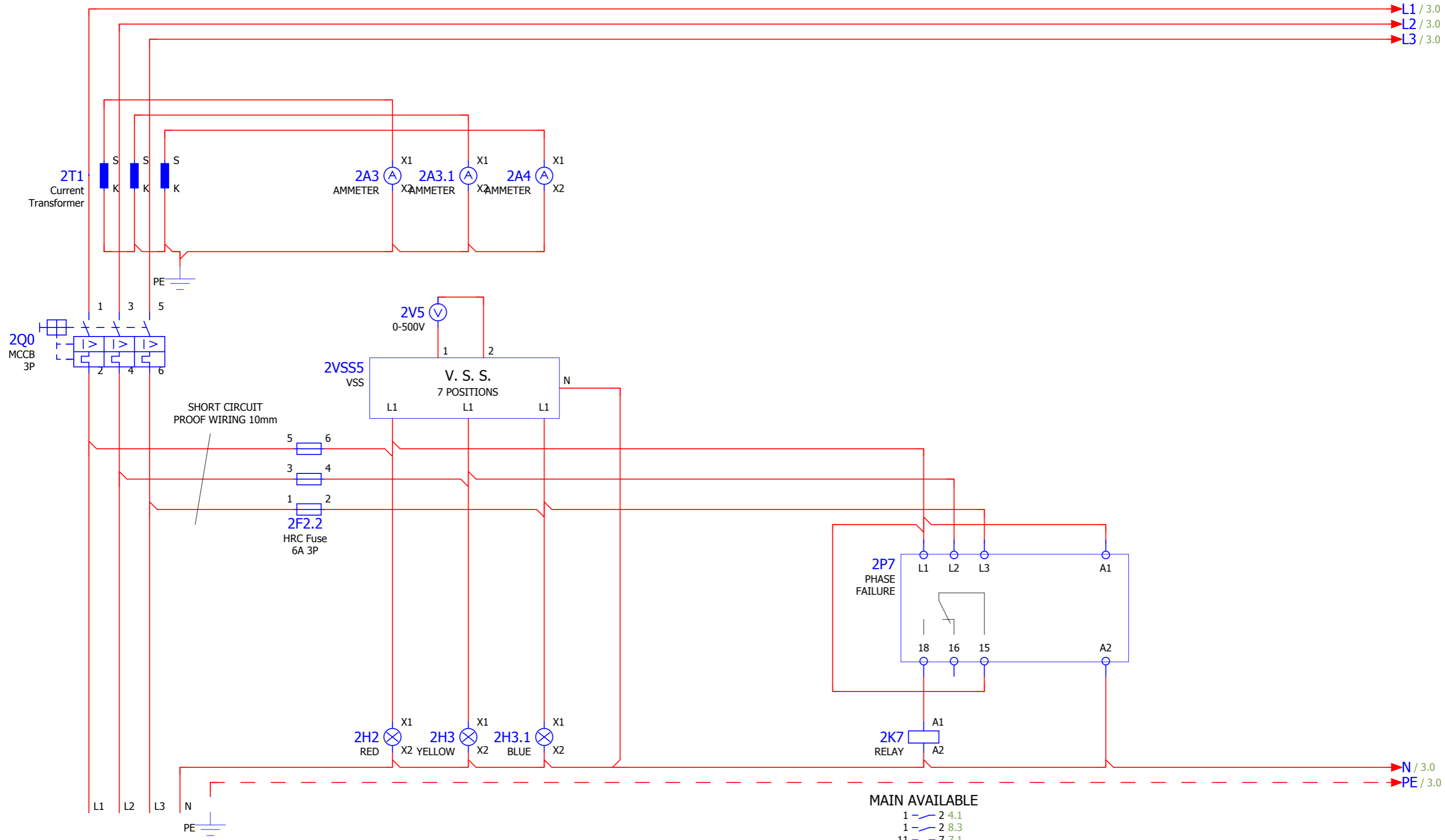
ENCLOSURE TYPE: FORM 2  
 ENCLOSURE DIMENSION (W\*H\*D) (1200\*2100\*600)mm  
 INGRESS PROTECTION : IP54

Date	8-8-2011	PROJECT : AUTO TRANSFORMER STARTERS
Design	M.SALAH	OWNER : JORDAN WATER COMOANY-MIYAHUNA LLC
Check	T.JILDEH	CONTRACTOR :.
Revision	Stand IEC 439	Tender #:



TYPICAL AUTO-TRANSFORMER STARTER 350KW  
 CONSTRUCTION DRAWING  
 AND DOOR LAYOUT

12023-TC		=
		+
M:\Projects\12023-TC MCC's-DWG	12023-TC-EK-001-0	Page 1
		1 Pages

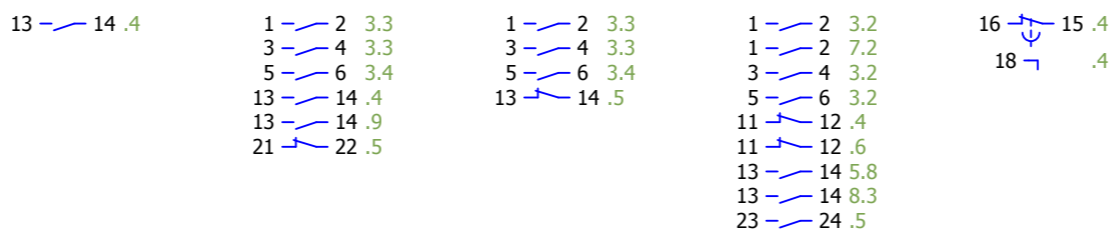
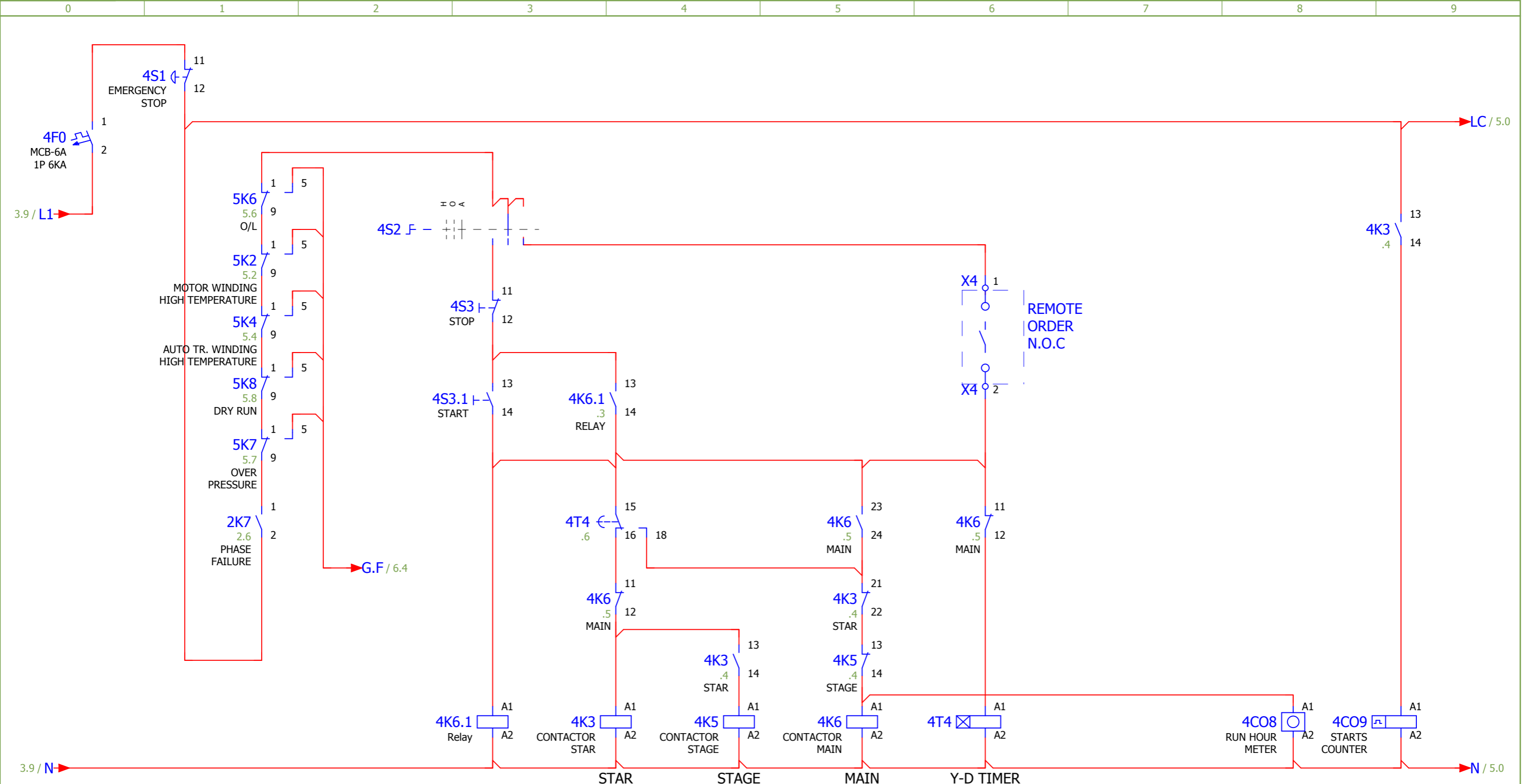


Main Incomer

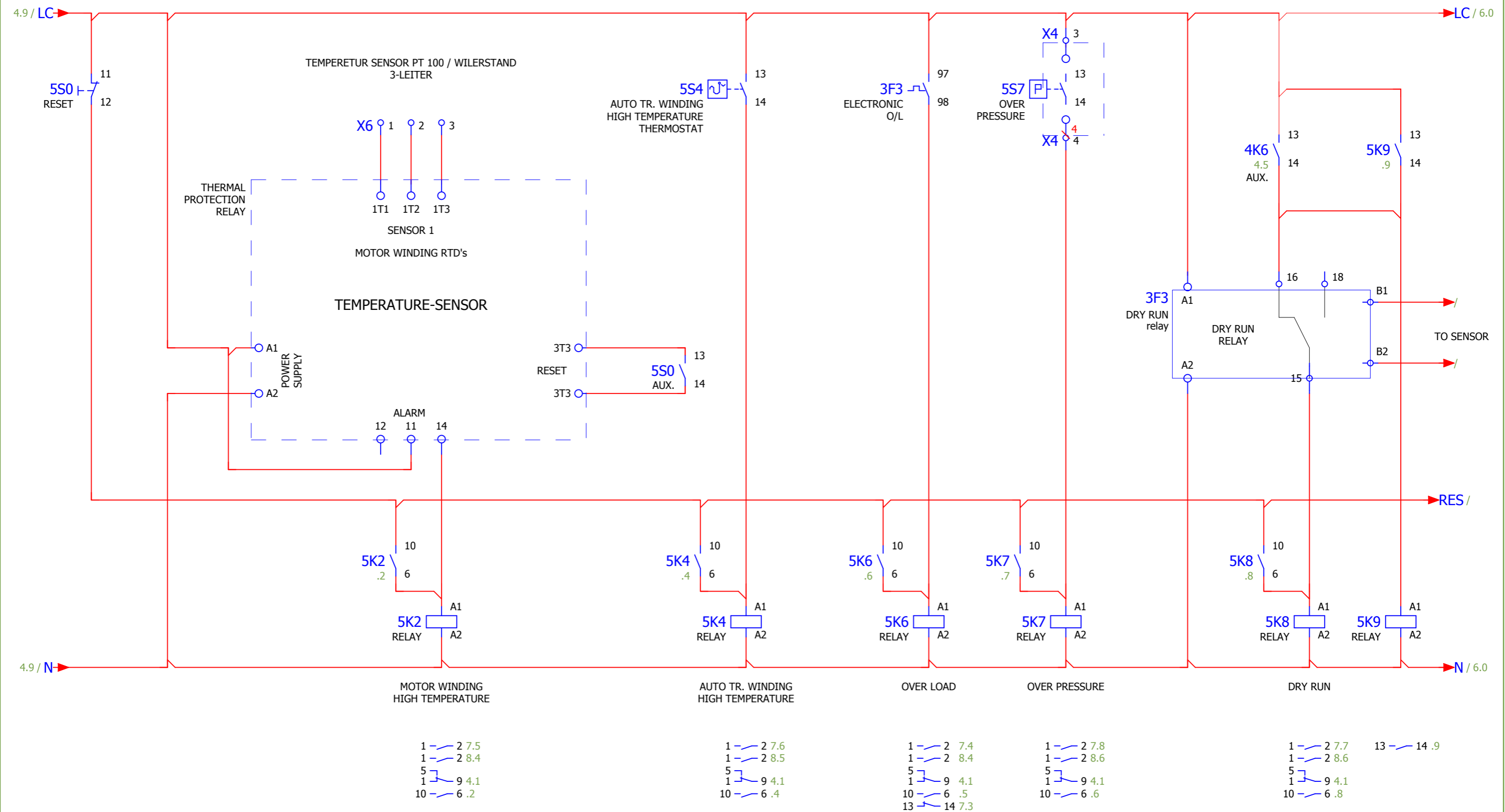
MAIN AVAILABLE  
 1-2 4.1  
 1-2 8.3  
 11-7 7.1

Design	TAREQ.JILDEH		TYPICAL AUTO TRANSFORMER STARTERS	POWER DIAGRAM	XXXX/TC	= +								
Check	OMAR JUNDI													
Create	08/08/2011													
Revision	Date	Name	Print.	28/02/2012	Issued for:	SUBMITTAL	Standard:	IEC 439	Tender #:		LAST MODIFIED: 11/08/2011	XXXX-TC-ES-002-0	Page 8	2 Pages



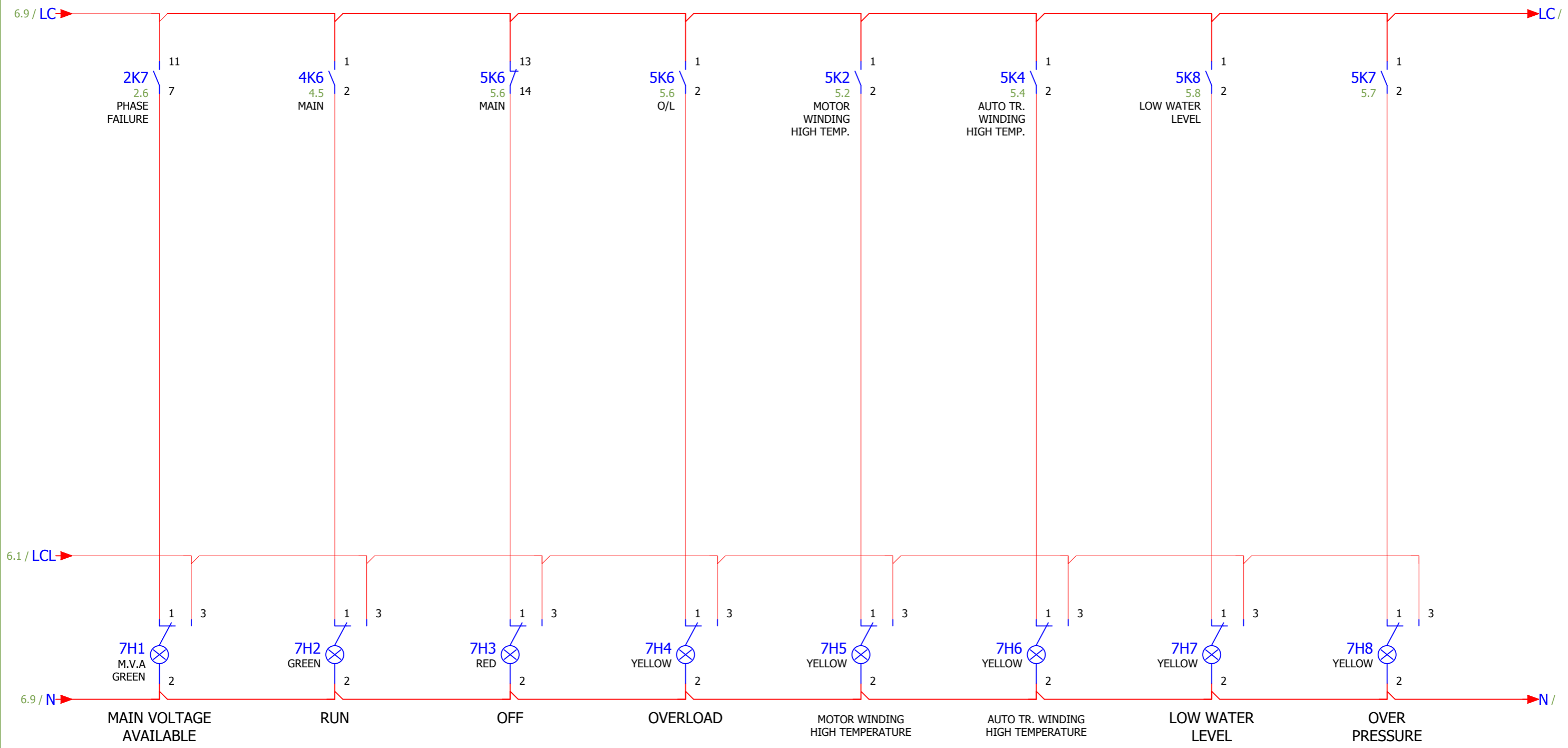




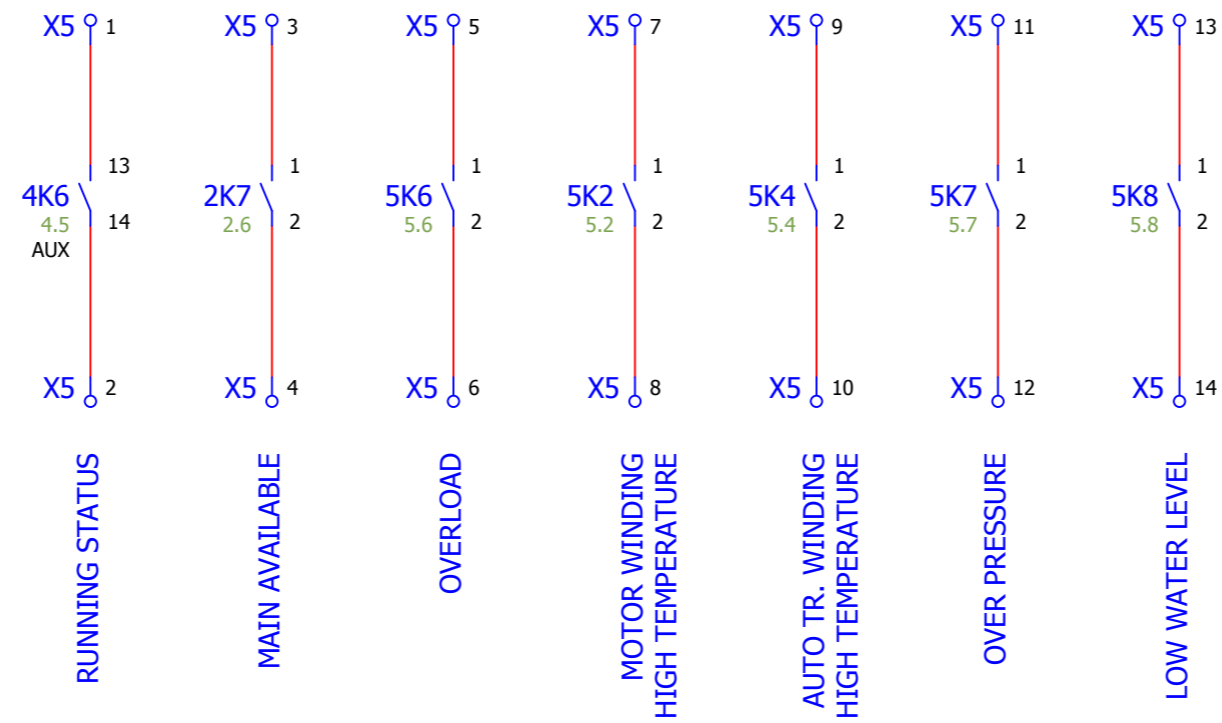


Design	TAREQ.JILDEH		<b>TYPICAL AUTO TRANSFORMER CONTROL DIAGRAM</b>	<b>XXXX/TC</b>	= +							
Check	OMAR JUNDI											
Create	08/08/2011											
Revision	Date	Name	Print.	28/02/2012	Issued for:	SUBMITTAL	Standard:	IEC 439	Tender #:	XXXX-TC-ES-002-0	Page	5
										03/09/2011	8	Pages





Design	TAREQ.JILDEH		TYPICAL AUTO TRANSFORMER CONTROL DIAGRAM STARTERS	XXXX/TC		=						
Check	OMAR JUNDI			LAST MODIFIED:		+						
Create	08/08/2011			03/09/2011	XXXX-TC-ES-002-0	Page	7					
Revision	Date	Name	Print.	28/02/2012	Issued for:	SUBMITTAL	Standard:	IEC 439	Tender #:		Page	8



		Design TAREQ.JILDEH			TYPICAL AUTO TRANSFORMER CONTROL DIAGRAM STARTERS		XXXX/TC		=		
		Check OMAR JUNDI					LAST MODIFIED:		XXXX-TC-ES-002-0		8
		Create 08/08/2011					28/08/2011				8
Revision	Date	Name	Print.	28/02/2012	Issued for:	SUBMITTAL	Standard:	IEC 439	Tender #:	Pages	