

OWNER	JORDAN WATER COMOANY-MIYAHUNA LLC
PROJECT	AUTO TRANSFORMER STARTERS
CONSULTANT	
CONTRACTOR	
CLIENT	
PANEL	TYPICAL AUTO-TRANSFORMER STARTER 550KW

# TECO-JUNDI ELECTRICAL INDUSTRY

TECO PROJECT NO. : 11171/TC

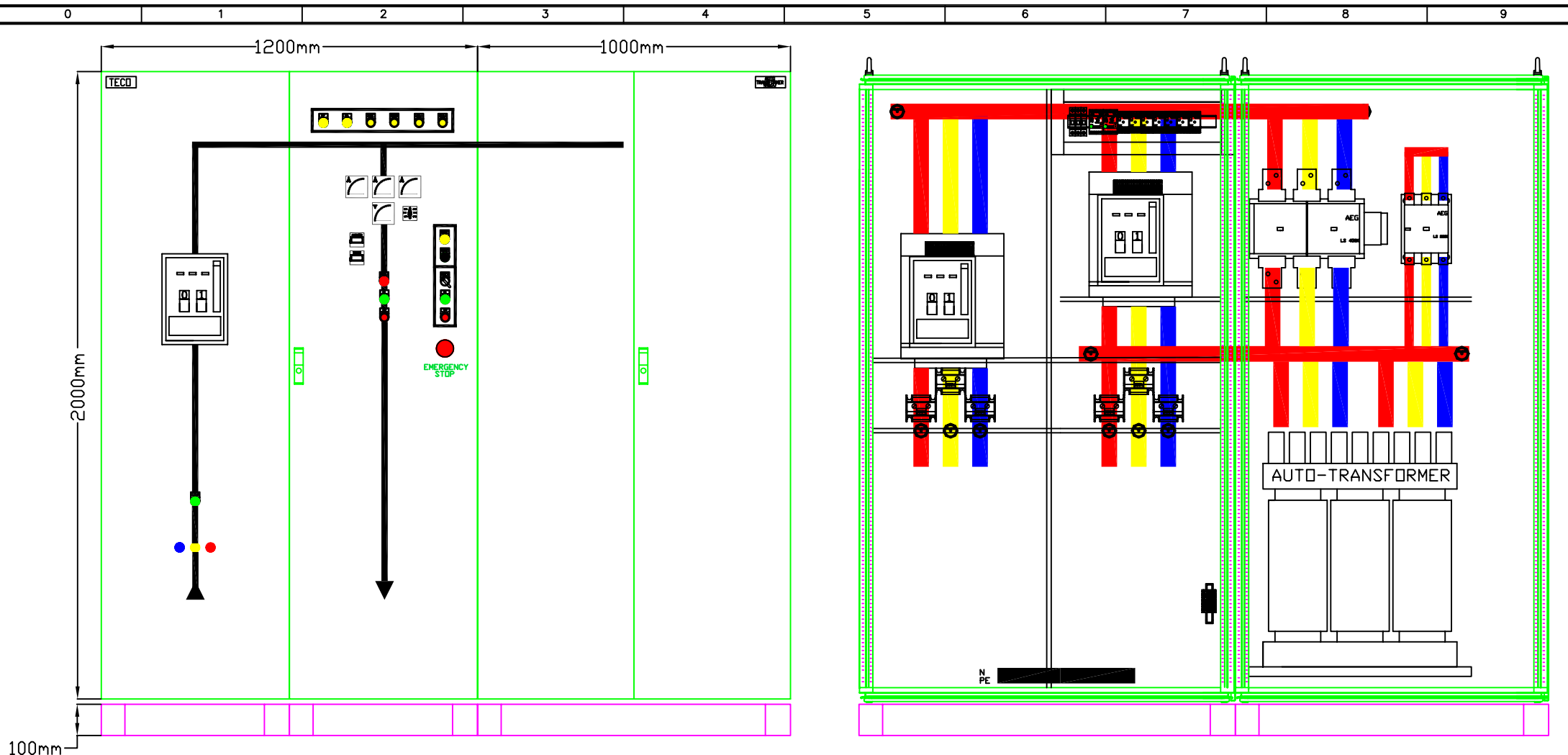
OFFICE :  
 TEL. :+962 (06) 488-3215  
 FAX. :+962 (06) 488-3188

FACTORY :  
 TEL. :+962 (06) 402-2843  
 FAX. :+962 (06) 402-2846

FREE ZONE FACTORY :  
 TEL. :+962 (06) 402-5332  
 FAX. :+962 (06) 402-6936

E-MAIL: [teco@go.com.jo](mailto:teco@go.com.jo)  
 P.O.Box: 2070, Amman 11181-Jordan  
[www.tecogrp.com](http://www.tecogrp.com)

Design	TAREQ.JILDEH		TYPICAL AUTO TRANSFORMER STARTERS 550KW	TITLE PAGE	XXXXX/TC	=							
Check	OMAR JUNDI						LAST MODIFIED: 28/02/2012	XXXX-TC-ES-XXX-0	Page 1				
Create	08/08/2011												
Revision	Date	Name	Print.	28/02/2012	Issued for:	SUBMITTAL	Standard:	IEC 439	Tender #:		9	Pages	2



ENCLOSURE TYPE: SET of TS /RITTAL (GERMANY)  
 ENCLOSURE DIMENSION (W\*H\*D) (2200\*2100\*600)mm  
 INGRESS PROTECTION : IP56

### AUTOTRANSFORMER 550KW DETAILS

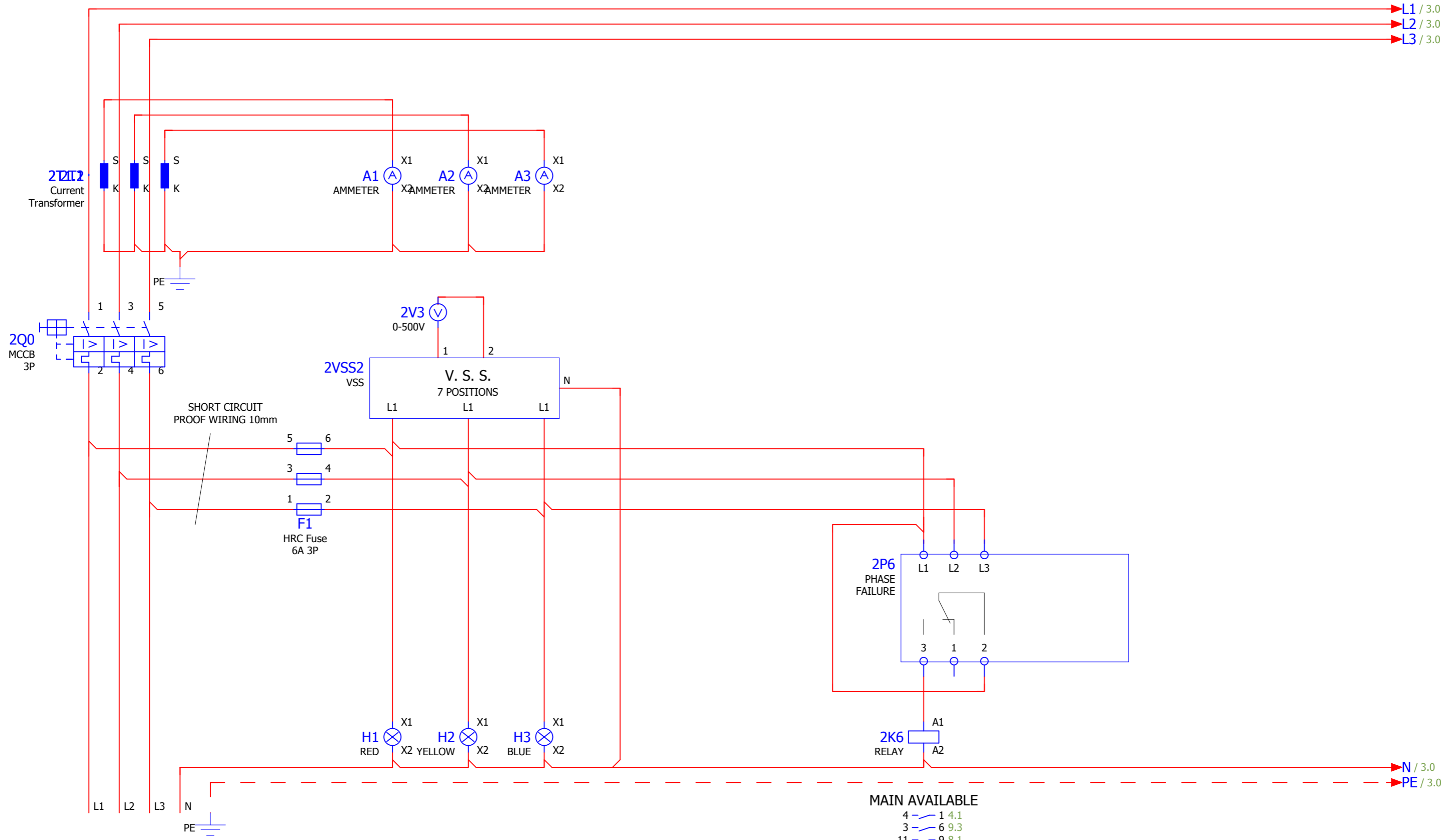
INCOMER	ACB 1600A, 3P 50KA ADJUSTABLE	GE-AEG (EUROPE)
MAIN	ACB 1250A, 3P, 50KA ADJUSTABLE	GE-AEG (EUROPE)
STEP	CONTACTOR 375KW	GE-AEG (EUROPE)
STAR	CONTACTOR 220KW	GE-AEG (EUROPE)
AUTO-TRANSFORMER	1050KW WITH PTC PROTECTION	RATGABER (GERMANY)

Date	6-10-2011	PROJECT : AUTO TRANSFORMER STARTERS
Design	TAREQ JILDEH	OWNER : JORDAN WATER AUTHORITY
Check	OMAR JUNDI	CONTRACTOR .:
Stand	IEC 439	Tender #:



AUTO-TRANSFORMER STARTER 550KW  
 CONSTRUCTION DRAWING  
 AND DOOR LAYOUT

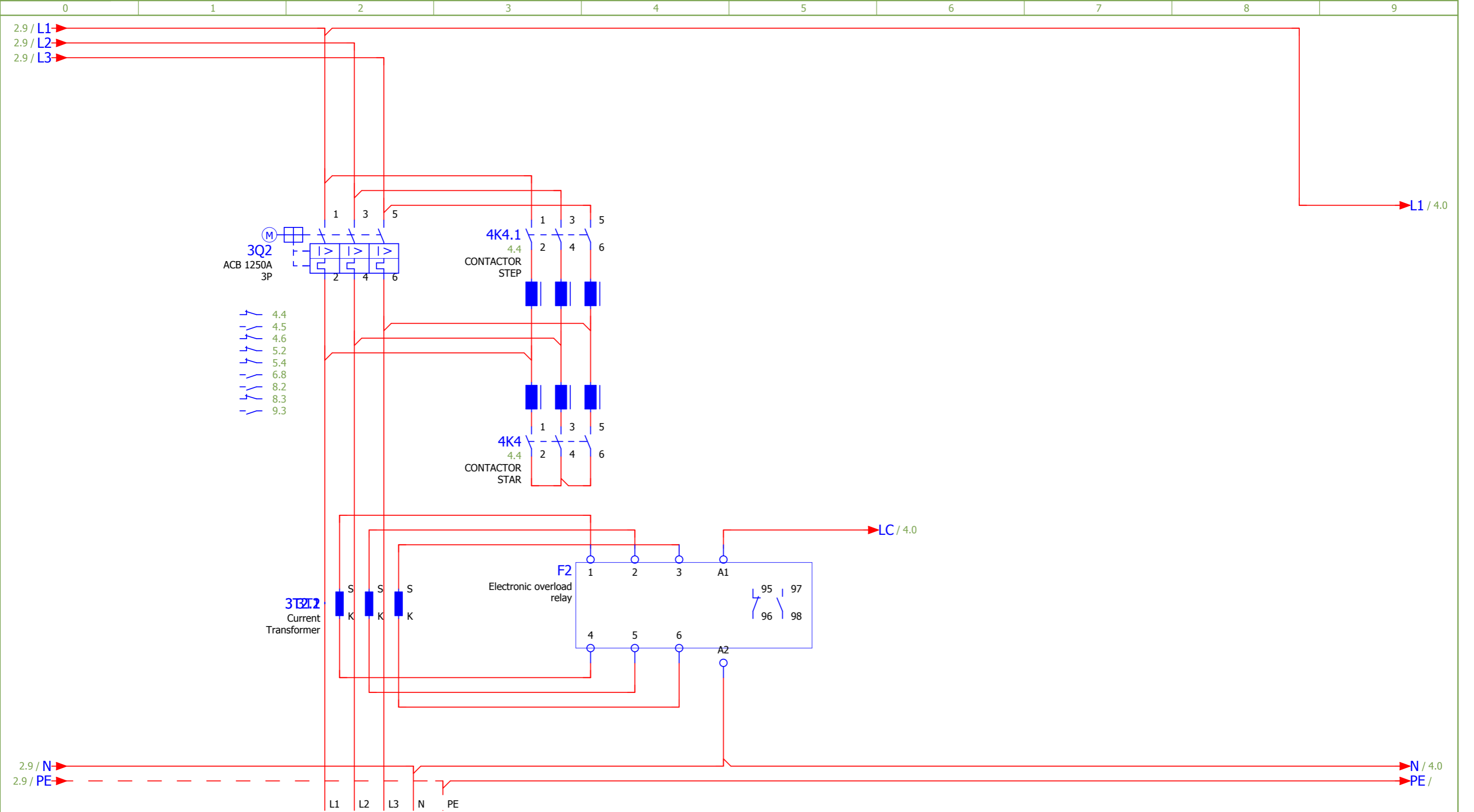
12023-TC		=
		+
M:\Projects\12023 AUTO TR.-DWG	12023-TC-EK-001-0	Page 1
		1 Pages



Main Incomer

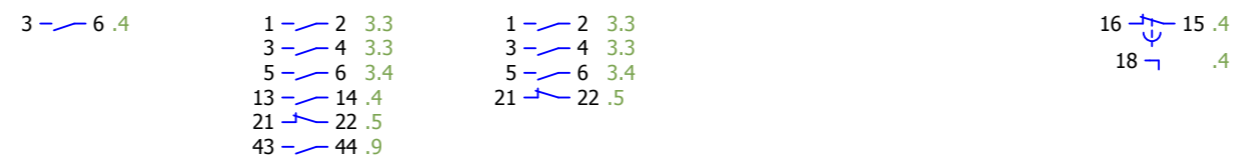
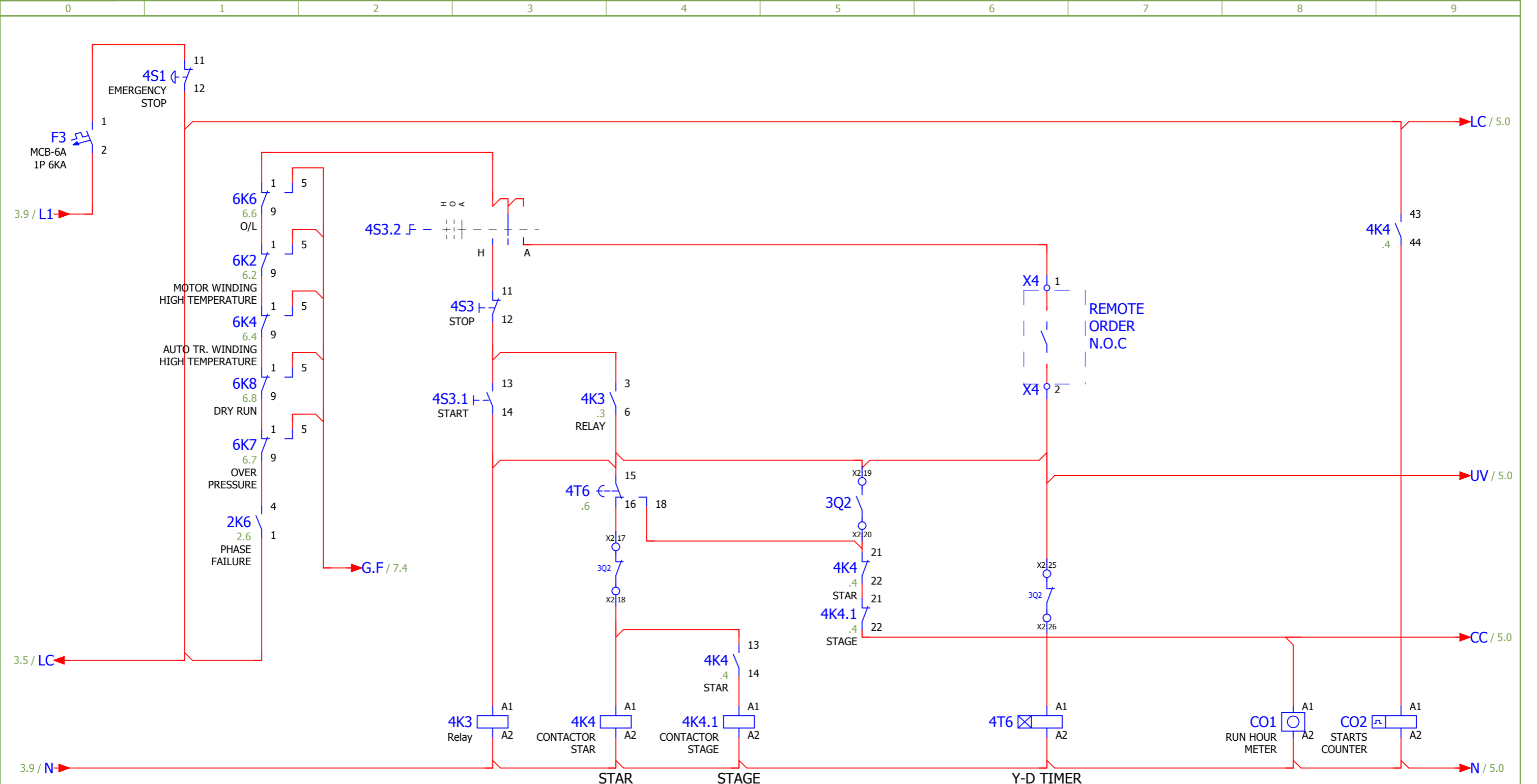
MAIN AVAILABLE  
 4 - 1 4.1  
 3 - 6 9.3  
 11 - 9 8.1

Design	TAREQ.JILDEH		TYPICAL AUTO TRANSFORMER STARTERS 550kW	POWER DIAGRAM	XXXXX/TC	LAST MODIFIED: 28/02/2012	XXXX-TC-ES-XXX-0	Page 9	Pages 2
Check	OMAR JUNDI								
Create	08/08/2011								
Revision	Date	Name	Print.	28/02/2012	Issued for:	SUBMITTAL	Standard:	IEC 439	Tender #:

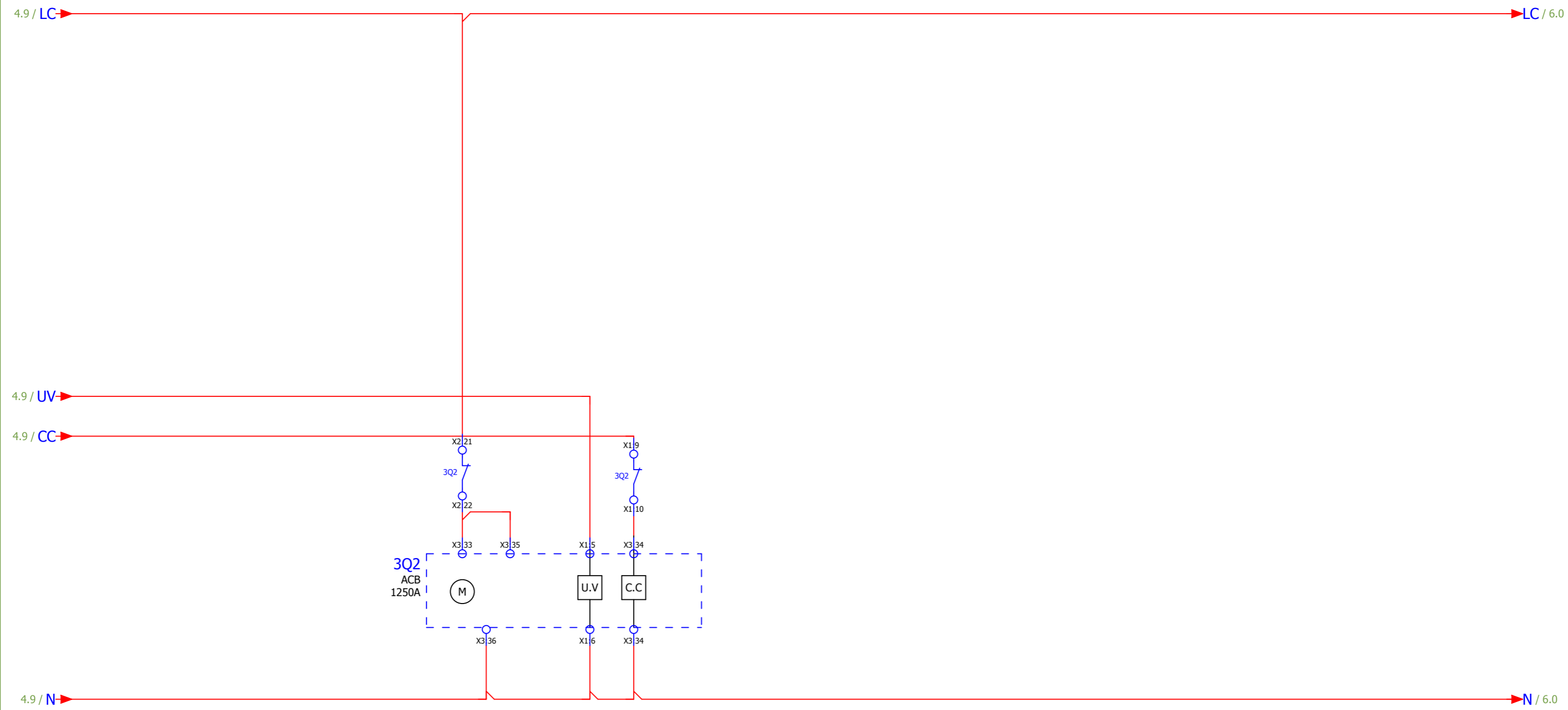


TO PUMP

Design	TAREQ.JILDEH		TYPICAL AUTO TRANSFORMER STARTERS 550kW	POWER DIAGRAM	XXXXX/TC	LAST MODIFIED: 28/02/2012	XXXX-TC-ES-XXX-0	Page 3						
Check	OMAR JUNDI													
Create	08/08/2011													
Revision	Date	Name	Print.	28/02/2012	Issued for:	SUBMITTAL	Standard:	IEC 439	Tender #:				Page	9



Design	TAREQ.JILDEH		<b>TYPICAL AUTO TRANSFORMER STARTERS 550kW</b>	<b>CONTROL DIAGRAM</b>	<b>XXXXX/TC</b>	= +						
Check	OMAR JUNDI											
Create	08/08/2011											
Revision	Date	Name	Print.	28/02/2012	Issued for:	SUBMITTAL	Standard:	IEC 439	Tender #:	XXXX-TC-ES-XXX-0	Page	4
										28/02/2012	9	Pages



MAIN ACB

- 4.4
- 4.5
- 4.6
- .2
- .4
- 6.8
- 8.2
- 8.3
- 9.3

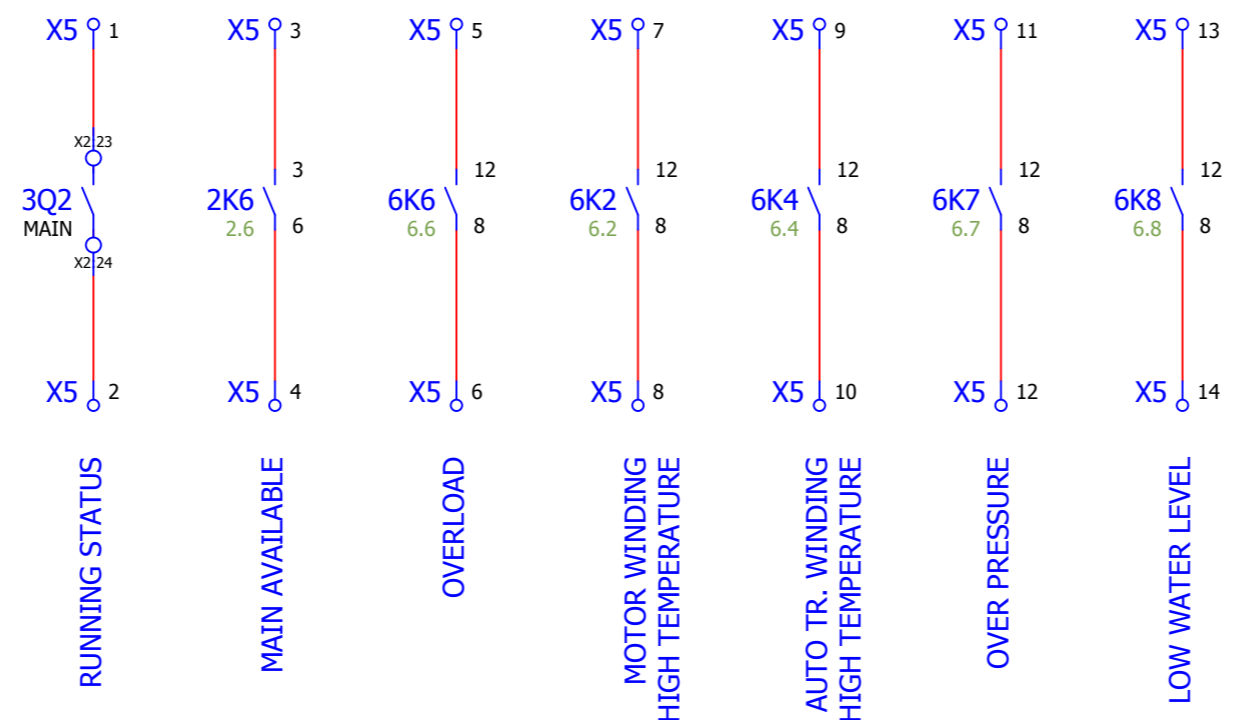
Design	TAREQ.JILDEH		TYPICAL AUTO TRANSFORMER STARTERS 550kW	CONTROL DIAGRAM	XXXXX/TC	= +								
Check	OMAR JUNDI													
Create	08/08/2011													
Revision	Date	Name	Print.	28/02/2012	Issued for:	SUBMITTAL	Standard:	IEC 439	Tender #:		LAST MODIFIED: 28/02/2012	XXXX-TC-ES-XXX-0	Page 9	5 Pages











		Design TAREQ.JILDEH			TYPICAL AUTO TRANSFORMER CONTROL DIAGRAM		XXXXX/TC		=		
		Check OMAR JUNDI			STARTERS 550kW				+		
		Create 08/08/2011									
Revision	Date	Name	Print.	28/02/2012	Issued for:	SUBMITTAL	Standard:	IEC 439	Tender #:	XXXX-TC-ES-XXX-0	Page 9